

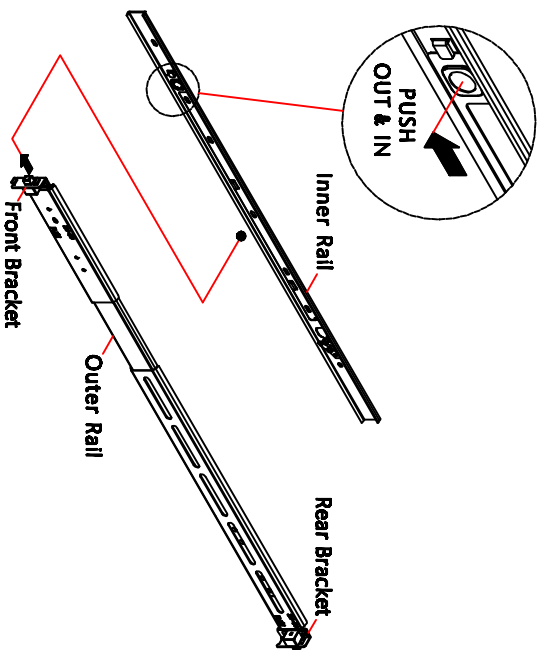
## Telescopic Sliding Rails

### Telescopic Sliding Rail for 2U to 4U rackmount server case

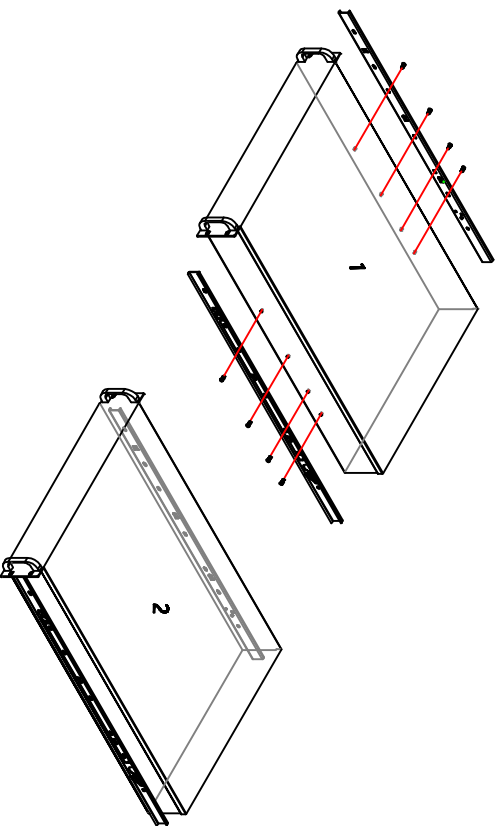
- Length 710mm
- Installation Distance up to 900mm
- For server rack depth 800 to 1200mm



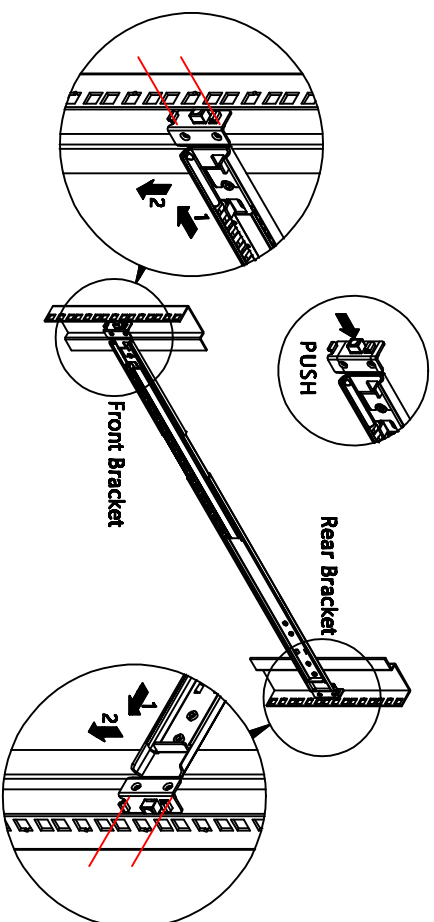
## 1. Slide Out Both Inside Parts of the Rail



## 3. Screw the Inside Parts of the Sliding Rail to Both Side of the Case



## 2. Mount the Front and Rear Brackets of the Outside Parts of the Rail to the Rack



## 4. Slide in the Case with Inside Parts of the Rail to the Outside Parts of the Rail on the Rack

