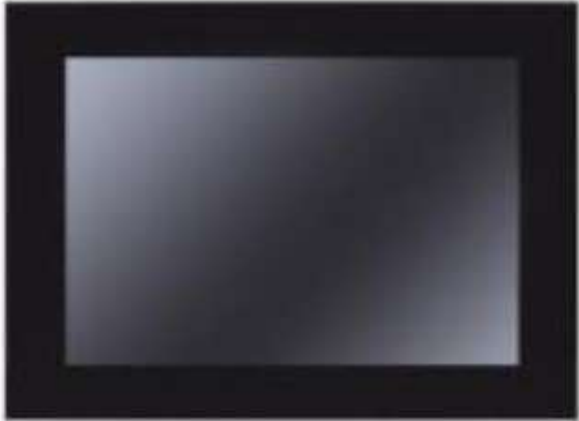


**Model: PPC-4150**  
**15" Intel® 12th Gen. Core™ i3 1215U Enhanced Multi-Touch Panel PC**



### Main Feature

- LED Panel – Higher Brightness; Longer Life Span; Better Viewing Angle; Less Power Consumption ...
- 15" XGA LED Panel support 1024 x 768 pixels
- Intel 12th Gen Intel® Core™ U-series (i3 12150U, i5 1235U, i7 1255U)
- 6mm Aluminum Magnesium Alloy front bezel
- NEMA4 / IP 65 compliant front panel, with Rugged construction design
- Front flat glass (7H Hardness) with projected capacitive Multi Touch Screen
- Wide input power range (12 ~ 24 VDC)
- 2 x COM ( 1 x RS232/485), 3 x Independent displays
- (Optional – WIFI) Mini PCI-E, WIFI Module with Antenna
- Panel (Flush) mounting with clip
- Meet standard VESA hole (100 x 100mm), support desk top stand / wall mount / swing arm mounting

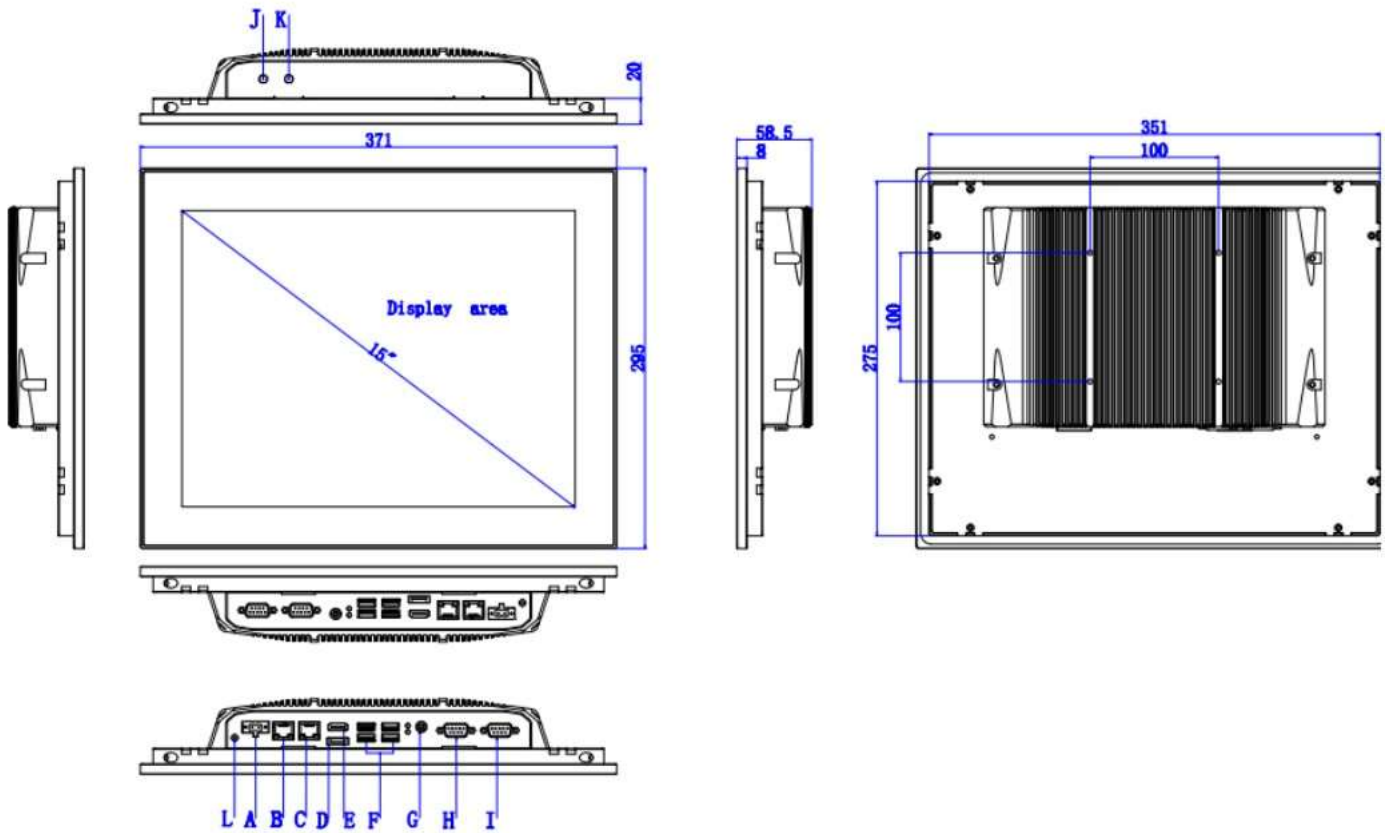
### Application:

Factory Automation, Processor Automation, Power Generation, Marine / Offshore Industrial, Kiosk ...

Specification	
Product Model	PPC-4150
Processor	Intel® Core™ i3 1215U Processor (6 x Cores, 3.3 to 4.4GHz, 10M Cache)
Chipset	Intel® SOC integrated
Memory	1 x DDR4 SO-DIMM Socket up to 32GB
Storage	1 x M.2 2280 (SATA 3.0)
Display	Display Type : 15" XGA <b>LED Panel</b> LCD Resolution : 1024 x 768 Luminance : 350 nit

	View Angel : 170° (H), 170° (V)
LAN	2 x Intel® i210-IT GbE LAN
USB port	2 x USB 3.0 and 2 x USB 2.0
Expansive interface	1 x Mini PCI-E (full size)
Back panel I/O port	2 x RJ45, 4 x USB 3.0/2.0, 2 x COM, 1 x Power Switch, DC input terminal (12-24VDC)
Supporting OS	Windows 7/10/11; Linux
Touch Screen	Internal USB interface controller - Projected Capacitive Multi Touch (10 points) Light transmission: 85% or more Surface hardness : 7H Operation system : Windows 10 / 11; Linux
Wireless LAN ( optional )	MINI PCI-E WIFI Module with Antenna
Construction	Heavy duty steel and aluminum front panel
Environment	Operating temperature: -10 °C to 60 °C Storage temperature: -20 °C to 70 °C Storage humidity: 10% to 90% non-condensing Vibration operate SSD: 3 Grms, IEC 60068-2-64, random, 5-500 Hz, 1 hr/axis Shock operate SSD: 30 G, IEC 60068-2-27, half sine, 11 ms duration
Compliance	CE; FCC; ROHS
Dimension W x H x D ( mm )	371 x 295 x 59 (Net Weight: 4.6kg)
<b>Ordering Information</b>	
PPC-4150	15" Enhanced Touch Panel PC with Intel® Core™ i3 1215U
(Optional) AC to DC Adapter	12VDC/60watt Power Adapter, input 110-240VAC
(Optional) upgrade to i5	Intel® Core™ i5 1235U
(Optional) upgrade to i7	Intel® Core™ i7 1255U
(Optional) RAM	8 to 32GB DDR4 SO-DIMM RAM
(Optional) SSD	64GB to 2TB SSD (M.2 2280, SATA 3.0)
(Optional) OS	Windows 10 /11 Professional, Linux

**Structure Diagram (Panel cut-off dimension: 354 x 278mm)**



- |                        |                |                |                         |                |               |
|------------------------|----------------|----------------|-------------------------|----------------|---------------|
| <b>A: DC Input</b>     | <b>B: GLAN</b> | <b>C: GLAN</b> | <b>D : Display Port</b> | <b>E: HDMI</b> | <b>F: USB</b> |
| <b>G: Power Switch</b> | <b>H: COM</b>  | <b>I: COM</b>  | <b>J/K: Antenna</b>     |                |               |