

**Model:** PCT-3319  
**19" Fanless Capacitive Touch Panel PC - Intel Celeron J1900; 6 x COM; IP65 front protection**



## Main Feature

- LED Panel - Higher Brightness; Longer Life Span; Better Viewing Angle; Less Power Consumption ...
- 19" SXGA LED Panel support 1280x1024 pixels
- Intel Celeron J1900 ( 2.0GHz, Quad Core)
- 8mm Aluminum Magnesium Alloy front bezel
- NEMA4 / IP 65 compliant front panel, with Rugged construction design
- Front flat glass (7H Hardness) with projected capacitive Multi Touch Screen
- Supports 10 points multi-touch in Windows 7/8.1/10...
- 6 x RS232 serial port
- (Optional - WIFI) MINI PCI-E WIFI Module with Antenna
- Panel (Flush) mounting with clip
- Meet standard VESA hole ( 100 x 100mm ), support desk top stand / wall mount / swing arm mounting

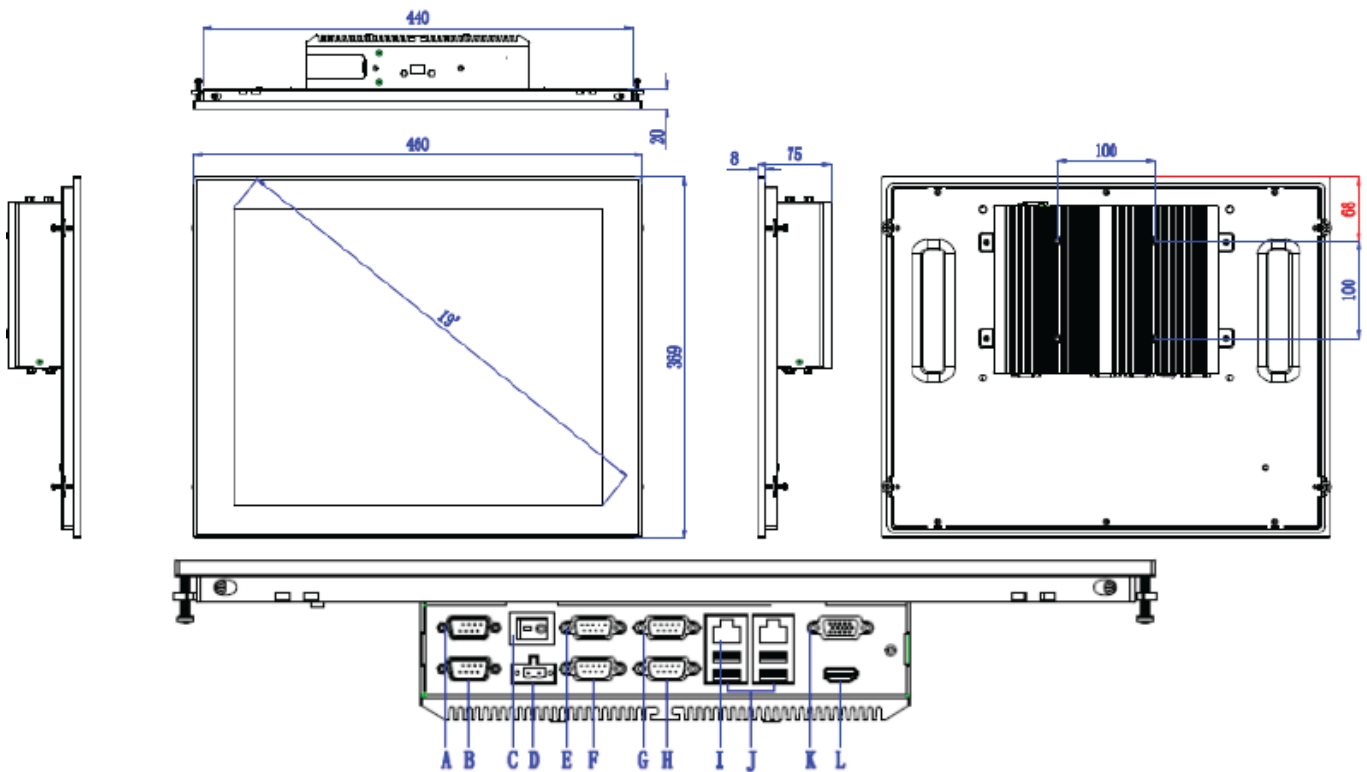
## Application

- Factory Automation; Processor Automation; Power Generation; Marine / Offshore Industrial; Kiosk ...

Specification	
Product Model	PCT-3319
Processor	Intel Celeron J1900 ( 2.0GHz, Quad Core, 2MB Cache, up to 2.41 GHz w/ burst frequency enabled)
Chipset	Intel® SOC integrated
Memory	1 x DDR3L SO-DIMM Socket up to 8GB
Storage	Space for 1x 2.5" HDD/SSD, support mSATA
Display	Display Type : 17" SXGA <u>LED Panel</u> LCD Resolution : 1280 x 1024 Luminance : 300 cd/m2 View Angel : 170° (H), 160° (V)
LAN	2 x Realtek ® RL8111E (Gigabit ) 10/100/1000Ethernet
USB port	1 x USB 3.0 and 3 x USB 2.0

Display output	1 x VGA and 1 x HDMI
Expansive interface	1 x Mini PCI-E (support WIFI & 3G card)
Back panel I/O port	2 x RJ45; 1 x USB 3.0; 3 x USB 2.0; 1 x VGA ; 1 x HDMI; 6 x COM; 1 x Power / Reset Switch; 1 x 12VDC input terminal
Supporting OS	DOS; Windows 7/8.1/10; Linux
Touch Screen	Internal USB interface controller - Projected Capacitive Multi Touch (10 points) Light transmission: 85% or more Surface hardness : 7H Operation system : DOS; Windows XP / 7 / 8.1 / 10; Linux
Wireless LAN ( optional )	MINI PCI-E WIFI Module with Antenna
Power Supply	12VDC input terminal
Construction	Heavy duty steel and aluminum front panel
Environment	Operating temperature: -15°C to 60°C Relative humidity: 10% to 90%non-condensing Vibration: 17 to 500HZ 1G PTP; Shock: 1G /peak( 11m sec)
Compliance	CE; FCC; ROHS
Dimension W x H x D	460 x 369 x 75 mm
<b>Ordering Information:</b>	
PCT-3319	19" Fanless Capacitive Touch Panel PC - Intel Celeron J1900, with 100-240VAC to DC 12V 60W adapter
<u>Optional - RAM</u>	4 to 8GB DDR3L SO-DIMM RAM
<u>Optional - SSD / HDD</u>	128 GB to 2TB SSD / 500GB to 2TB 2.5'' SATA HDD
<u>Optional - WIFI</u>	MINI PCI-E WIFI Module with Antenna
<u>Optional - OS</u>	Windows 7, 8.1, 10 Professional

### Structure Diagram (Panel cut-off dimension: 444 x 352 mm)



**A: COM5    B: COM6    C: PWR On/Off    D: PWR In (12VDC)    E: COM1    F: COM2    G: COM3    H: COM4**  
**I: GLAN    J: USB 2/3.0    K: VGA    L: HDMI**