

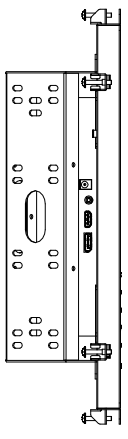
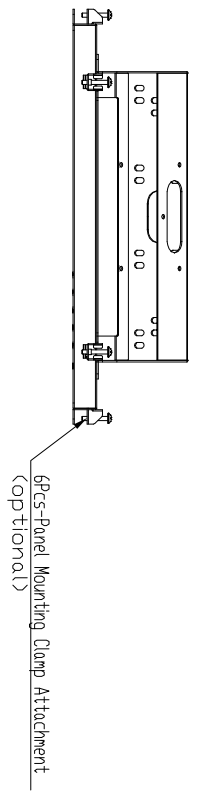
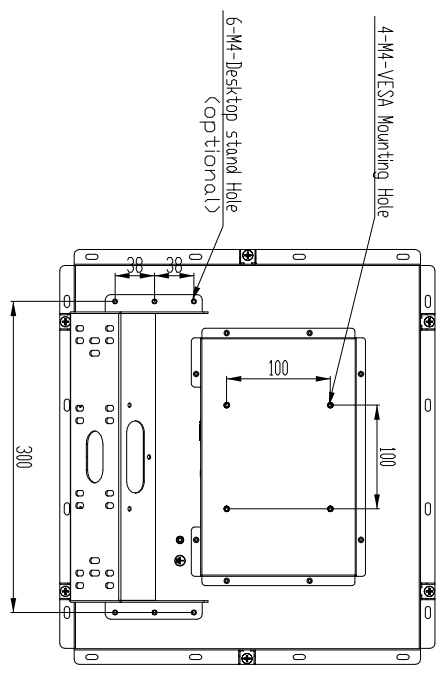
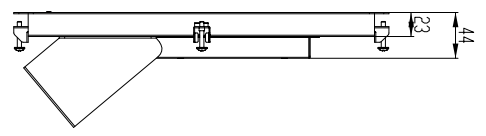
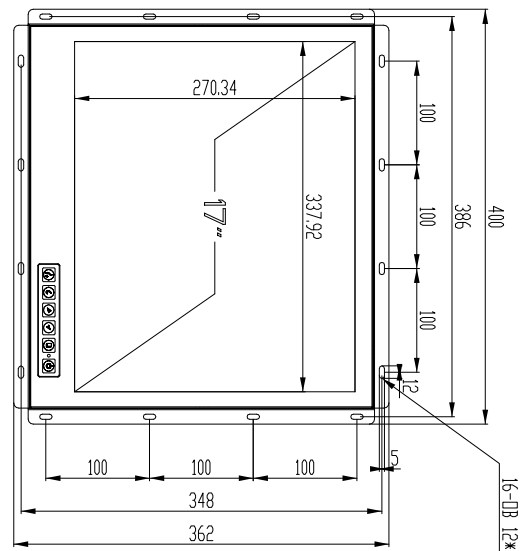
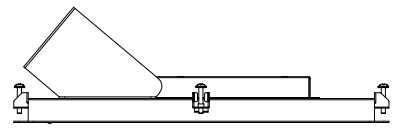
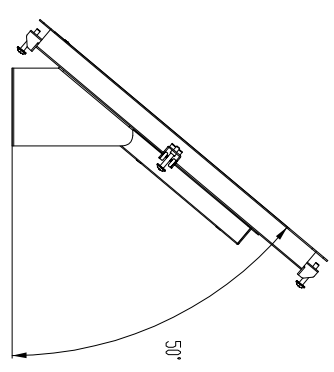
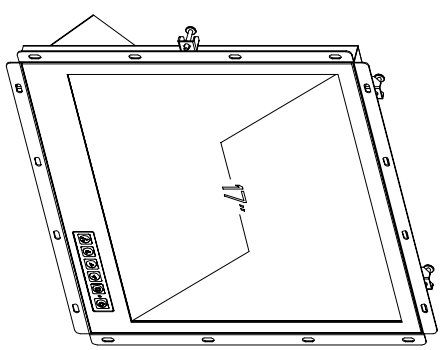
Model: OFM-17M

17" Marine Open Frame Monitor, with mounting bracket and DP + HDMI input



- Mounting bracket & Flush mount clips
- Optional – upgrade Sunlight Readable
- Optional – Dimming Button (0-100%)
- Optional - 19" Rackmount Kit

MARK	DATE	UPDATE DESCRIPTION	SIGN	APPROVER
△				



Ver.	A0	FINISHING	
Q'ty	1	MATERIAL	
SELECT V	V		
DIM TOL	A	B	C
~8	±0.03	±0.05	±0.10
8-25	±0.05	±0.08	±0.20
25-80	±0.08	±0.12	±0.30
80-250	±0.12	±0.20	±0.40
250~	±0.20	±0.30	±0.60
ANGLE TOL	±0.2°	±0.3°	±0.4°
			±0.5°
		EXTRA	
		3RD ANGLE'S	
		APPROVED	
		CHECKED	
		DESTINED	
		DATE	
		20-Mar-24	
TITLE	QFM-17		
DRAWN NO.	QFM-17-3D3V.DWG		
MODEL NO.	QFM-17		
PART NO.			
SCALE	0.2		
SIZE	A3		
UNIT	MM		
SHEET	1 OF 1		