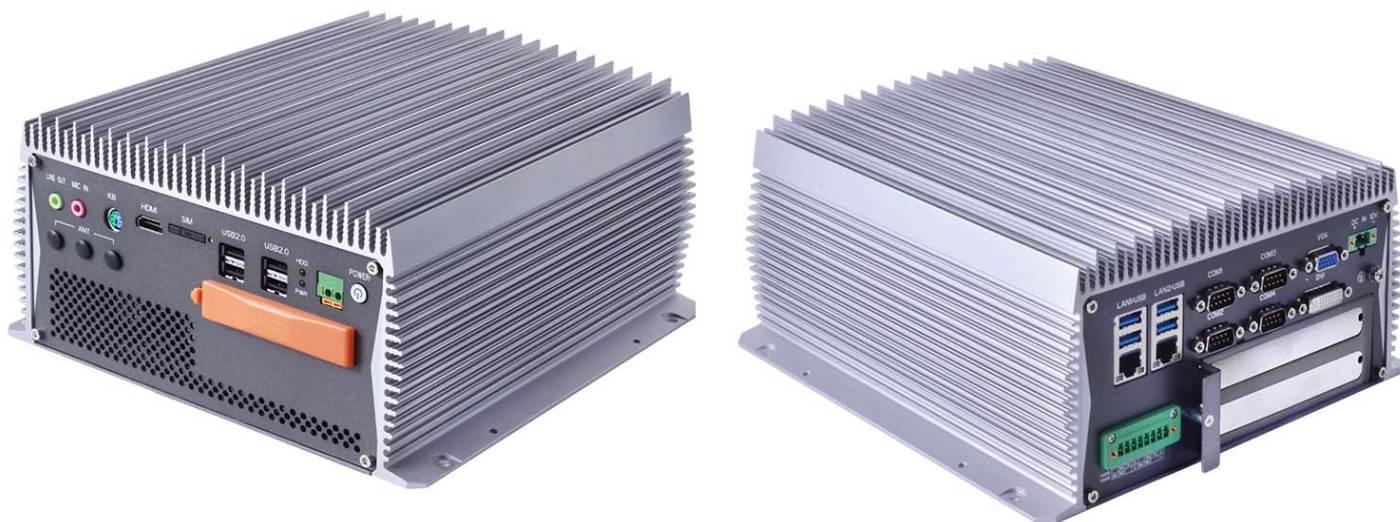


Model: MPCX-H110-2PCI

Intel® H110 Chipset Based - Industrial Fanless Computer with 2 x PCI or PCI-E X16 slots



Application:

Factory Automation; Processor Automation; Intelligent Traffic Control; Vision Inspection; CCTV/DVR system; Marine / Offshore Industrial ...

SPECIFICATIONS	
PRODUCT MODEL	MPCX-H110-2PCI
Processor	Supports 6/7/8/9 th Gen. Intel® Core™ / Pentium® / Celeron® processors for LGA 1151
Chipset	Intel® H110
Memory	2 x DDR4 SO-DIMM Socket up to 64GB
Storage	Space for 1 x 2.5" HDD/SSD and 1 x mSATA
Audio	Realtek ALC662, 6 channel surround audio
LAN	2 x Intel® i210, Gigabit LAN Controller
USB port	4 x USB 2.0 and 4 x USB 2.0/3.0
Graphic	<ul style="list-style-type: none"> • 1 x VGA port Supports the highest resolution 1920X1200 @60Hz • 1 x DVI Port Supports the highest resolution 1920X1200 @60Hz • 1 x HDMI port Supports the highest resolution 4096x2160 @24Hz, 2560x1600 @60Hz
Expansive interface	2 x Mini PCI-E (full size); 2 x PCI or PCI-E X16 Slots
I/O port	2 x RJ45; 4 x USB 2.0; 4 x USB 2.0/3.0; 1 x VGA; 1 x DVI; 1 x HDMI; 1 x Lin-in / Lin-out; 4 x RS232 & 2 x RS232/485; 1 x Power Switch; 1 x DC input
Power Supply	12 to 24V wide range DC input
Construction	Heavy duty steel and aluminum (Fanless Design)
Watch-Dog Timer	1 - 255 second programmable
Supporting OS	Windows 7/10/11; Linux
Environment	Operating temperature: -20 °C to 60 °C Storage temperature: -40 °C to 80 °C Storage humidity: 10% to 90% non-condensing

	Vibration: 17 to 500HZ 1G PTP; Shock: 1G /peak (11m sec)
Safety Certification	CE/FCC/ROHS
Dimension W x H x D (mm)	240 x 240 x 117
Ordering Information	
MPCX-H110-2PCI	Intel® H110 Chipset Based - Industrial Fanless Computer with 2 x PCI <u>or</u> PCI-E X16 slots
Optional - Intel Processor	Refer to "Processor List"
Optional - Adapter	110-240VAC to 12 VDC 120 watt Power adapter
Optional - RAM	8 to 64GB DDR4 SO-DIMM RAM
Optional - SSD / HDD	128 GB to 1TB SSD / 500GB to 2TB 2.5'' SATA HDD
Optional - OS	Windows 7, 10, 11 Pro. <u>or</u> Win 10, 11 IoT, Ubuntu...
Optional - 4GLAN	Upgrade to 4 x Intel® i210, Gigabit LAN Controller
Optional - 6GLAN	Upgrade to 6 x Intel® i210, Gigabit LAN Controller

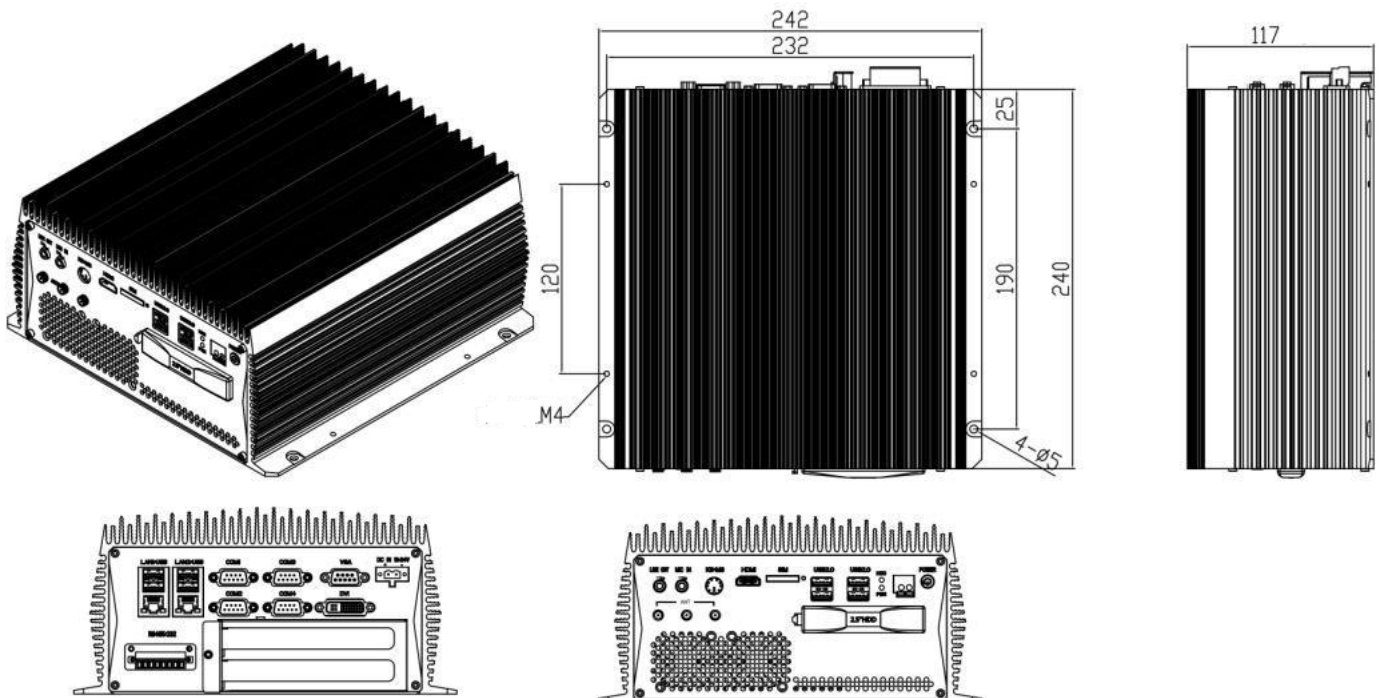


4 x Intel Gigabit LAN



6 x Intel Gigabit LAN

Structure Diagram



Processor List

Core Name	Processor	CPU No	CPU Speed	Cache	Wattage	GPU
Coffee Lake	Core i7	i7-9700T	2.0 - 4.3 (8 x Core)	12M	35	HDGraphics630 1200MHz
Coffee Lake	Core i7	i7-9700	3.0 - 4.7 (8 x Core)	12M	65	HDGraphics630 1200MHz
Coffee Lake	Core i5	i5-9600T	2.3 - 3.9 (6 x Core)	9M	35	HDGraphics630 1150MHz
Coffee Lake	Core i5	i5-9600	3.1 - 4.7 (6 x Core)	9M	65	HDGraphics630 1150MHz
Coffee Lake	Core i3	i3-9300T	3.2 - 3.8 (4 x Core)	8M	35	HDGraphics630 1100MHz
Coffee Lake	Core i3	i3-9300	3.7 - 4.3 (4 x Core)	8M	62	HDGraphics630 1150MHz
Coffee Lake	Core i7	i7-8700T	2.4 - 4.0 (6 x Core)	12M	35	HDGraphics630 1150MHz
Coffee Lake	Core i7	i7-8700	3.2 - 4.6 (6 x Core)	12M	65	HDGraphics630 1150MHz
Coffee Lake	Core i5	i5-8600T	2.3 - 3.7 (6 x Core)	9M	35	HDGraphics630 1150MHz
Coffee Lake	Core i5	i5-8600	3.1 - 4.3 (6 x Core)	9M	65	HDGraphics630 1150MHz
Coffee Lake	Core i5	i5-8500T	2.1 - 3.5 (6 x Core)	9M	35	HDGraphics630 1100MHz
Coffee Lake	Core i5	i5-8500	3.0 - 4.1 (6 x Core)	9M	65	HDGraphics630 1100MHz
Coffee Lake	Core i5	i5-8400T	1.7 - 3.3 (6 x Core)	9M	35	HDGraphics630 1050MHz
Coffee Lake	Core i5	i5-8400	2.8 - 4.0 (6 x Core)	9M	65	HDGraphics630 1050MHz
Coffee Lake	Core i3	i3-8300T	3.2 (4 x Core)	8M	35	HDGraphics630 1100MHz
Coffee Lake	Core i3	i3-8300	3.7 (4 x Core)	8M	62	HDGraphics630 1150MHz
Coffee Lake	Core i3	i3-8100T	3.1 (4 x Core)	6M	35	HDGraphics630 1100MHz
Coffee Lake	Core i3	i3-8100	3.6 (4 x Core)	6M	65	HDGraphics630 1100MHz
Coffee Lake	Pentium	G5600T	3.3 (2 x Core)	4M	35	HDGraphics630 1050MHz
Coffee Lake	Pentium	G5600	3.9 (2 x Core)	4M	54	HDGraphics630 1100MHz
Coffee Lake	Pentium	G5400T	3.1 (2 x Core)	4M	35	HDGraphics610 1050MHz
Coffee Lake	Pentium	G5400	3.7 (2 x Core)	4M	58	HDGraphics610 1050MHz
Coffee Lake	Celeron	G4950	3.3 (2 x Core)	2M	54	HDGraphics610 1050MHz
Coffee Lake	Celeron	G4930T	3.0 (2 x Core)	2M	35	HDGraphics610 1000MHz
Coffee Lake	Celeron	G4930	3.2 (2 x Core)	2M	54	HDGraphics610 1050MHz
Kabylake	Core i7	i7-7700T	2.9	8M	35	HDGraphics630 1150MHz
Kabylake	Core i7	i7-7700	3.6	8M	65	HDGraphics630 1150MHz
Kabylake	Core i5	i5-7600T	2.8	6M	35	HDGraphics630 1100MHz
Kabylake	Core i5	i5-7600	3.5	6M	65	HDGraphics630 1150MHz
Kabylake	Core i5	i5-7500T	2.7	6M	35	HDGraphics630 1100MHz
Kabylake	Core i5	i5-7500	3.4	6M	65	HDGraphics630 1100MHz
Kabylake	Core i5	i5-7400T	2.4	6M	35	HDGraphics630 1000MHz
Kabylake	Core i5	i5-7400	3	6M	65	HDGraphics630 1000MHz
Kabylake	Core i3	i3-7320	4.1	4M	51	HDGraphics630 1150MHz
Kabylake	Core i3	i3-7300T	3.5	4M	35	HDGraphics630 1100MHz
Kabylake	Core i3	i3-7300	4	4M	51	HDGraphics630 1150MHz
Kabylake	Core i3	i3-7100T	3.4	3M	35	HDGraphics630 1100MHz
Kabylake	Core i3	i3-7100	3.9	3M	51	HDGraphics630 1100MHz
Kabylake	Pentium	G4620	3.7	3M	51	HDGraphics630 1100MHz
Kabylake	Pentium	G4600T	3	3M	35	HDGraphics630 1050MHz
Kabylake	Pentium	G4600	3.6	3M	51	HDGraphics630 1100MHz
Kabylake	Pentium	G4560T	2.9	3M	35	HDGraphics610 1000MHz
Kabylake	Pentium	G4560	3.5	3M	54	HDGraphics610 1050MHz
Kabylake	Celeron	G3950	3	2M	51	HDGraphics610 1050MHz
Kabylake	Celeron	G3930T	2.7	2M	35	HDGraphics610 1050MHz
Kabylake	Celeron	G3930	2.9	2M	51	HDGraphics610 1050MHz
Skylake	Core i7	i7-6700T	2.8	8M	35	HDGraphics530 1100MHz
Skylake	Core i7	i7-6700	3.4	8M	65	HDGraphics530 1150MHz
Skylake	Core i5	i5-6600T	2.7	6M	35	HDGraphics530 1100MHz
Skylake	Core i5	i5-6600	3.3	6M	65	HDGraphics530 1150MHz
Skylake	Core i5	i5-6500T	2.5	6M	35	HDGraphics530 1100MHz

Skylake	Core i5	i5-6500	3.2	6M	65	HDGraphics530 1050MHz
Skylake	Core i5	i5-6400T	2.2	6M	35	HDGraphics530 950MHz
Skylake	Core i5	i5-6400	2.7	6M	65	HDGraphics530 950MHz
Skylake	Core i3	i3-6320	3.9	4M	51	HDGraphics530 1150MHz
Skylake	Core i3	i3-6300T	3.3	4M	35	HDGraphics530 950MHz
Skylake	Core i3	i3-6300	3.8	4M	51	HDGraphics530 1150MHz
Skylake	Core i3	i3-6100T	3.2	3M	35	HDGraphics530 950MHz
Skylake	Core i3	i3-6100	3.7	3M	51	HDGraphics530 1050MHz
Skylake	Pentium	G4520	3.6	3M	51	HDGraphics530 1050MHz
Skylake	Pentium	G4500T	3	3M	35	HDGraphics530 950MHz
Skylake	Pentium	G4500	3.5	3M	51	HDGraphics530 1050MHz
Skylake	Pentium	G4400T	2.9	3M	35	HDGraphics510 950MHz
Skylake	Pentium	G4400	3.3	3M	54	HDGraphics510 1000MHz
Skylake	Celeron	G3920	2.9	2M	51	HDGraphics510 950MHz
Skylake	Celeron	G3900T	2.6	2M	35	HDGraphics510 950MHz
Skylake	Celeron	G3900	2.8	2M	51	HDGraphics510 950MHz