

**Model: MIPM-19HBT**  
**19" High brightness Marine Industrial Panel Monitor, with Touch screen**  
**(VGA +DVI + S-Video + AV input)**

**Main Feature**

- Dimming knob control backlight brightness from nearly 0% to 100%
- Front IP65 aluminum bezel with powder coating
- Wide range DC8-30V power input with Lockable connector (AC Power in option)
- Front hardness AR glass protection (touch option)
- 1000cd/m2 brightness
- Build in 2 x 2 watts stereo speaker
- IP65 Front OSD Design , Ease for use front OSD control
- Enhanced anti-shock and vibration resistance design
- Meet standard VESA hole ( 75 x 75mm and 100 x 100mm)
- Panel ( Flush ) mount ,VESA and bracket mount



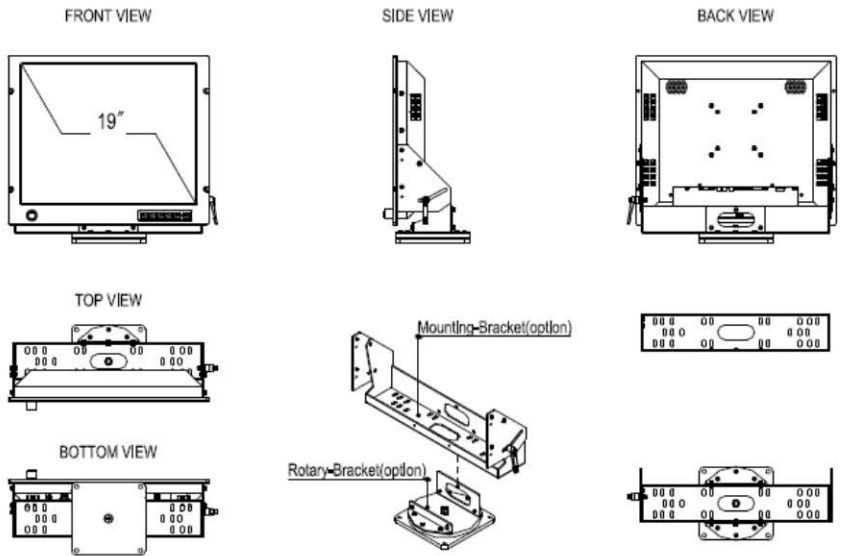
Specification	
Product Model	MIPM-19HBT
LCD Panel	Display Type : 19" SXGA TFT LCD Display Area (mm) : 376.32 x 301.056 mm Screen resolution (Pixels) : 1280x1024 Brightness : 1000cd/m2 Contrast Ratio : 1000 : 1 Pixel Size : 0.294(H) x 0.294(V) Max Color : 16.7M Viewing angle(L/R,T/B) : 80/80, 80/80
Mechanical and Environmental	Power Control : Front Power On/Off via Front Button VR Control : Front VR Brightness Knob Control OSD control : Front on screen display control Mounting : Panel ( Flush ) mount ,VESA and bracket mount Dimensions (WxHxD) : ( , &"l ' ' --"&l ' ), 'a a Weight : Net 9kg Operating Temperature : 0 °C to 50 °C Storage temperature : -20 °C to 60 °C Storage humidity : 10% to 90%non-condensing Anti-Vibration : 5Hz-500 HZ / 1G PTP Anti-Shock : 15G / Peak( 11m sec)
Available Options	Touch Screen : Resistive Type / Capacitive / IR / SAW AC Power input : 100 to 240 V AC Bracket mount : Stand and roof mount / Rotary bracket / Sun Visor bracket
Input Signals	RGB Signal : D-SUB 15P connector(female) Composite Audio/Video : RCA plug S-Video Signal : S-Video (SVHS) plug DVI-D Signal : DVI-D input 24pin connector DC Power Signal : 5.8mm DC Jack with Lockable AC Power Signal (Option) : Standard IEC Inlet

	Touch Screen RS-232 (Optional) : D-SUB 9P connector (female) Touch Screen USB (Optional) : USB-A connector (female)
Power Specifications	DC Input : 8-30V DC to DC power input with Lockable connector
Certification and Approvals	CE/FCC/Rohs Certification: IEC60945

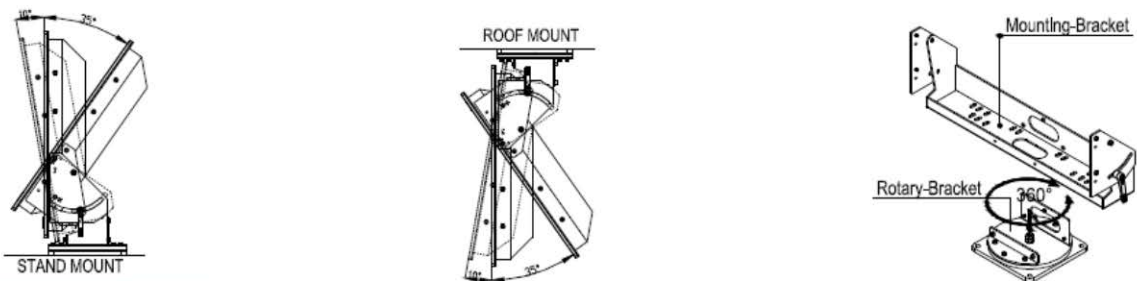
## Ordering Information

MIPM-19HBT	19" High brightness Marine Industrial Panel Monitor , with Touch screen (VGA +DVI + S-Video + AV input)
Optional: SR-BKT	Mounting bracket for stand and roof mount
Optional: RT-BKT	Rotary bracket
Optional: SV-BKT	Sun Visor bracket

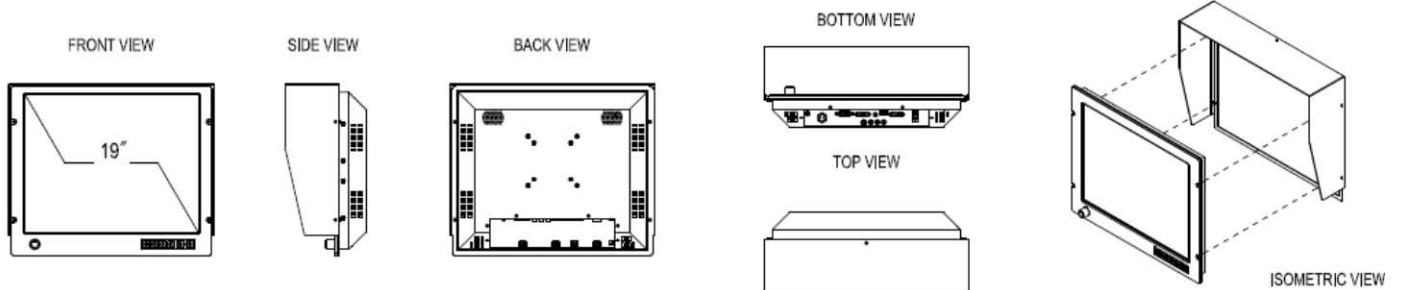
### Mechanical Drawing with Robust Bracket (options)



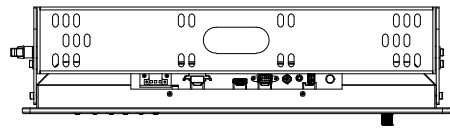
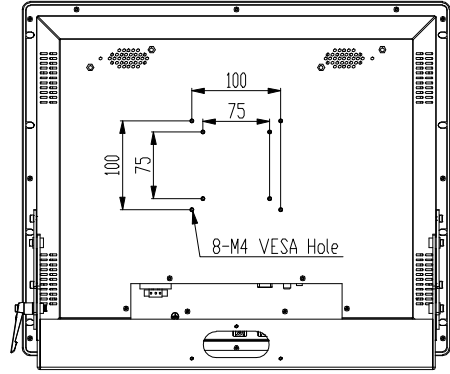
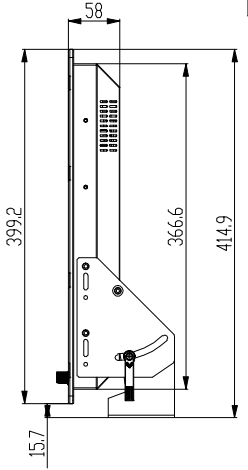
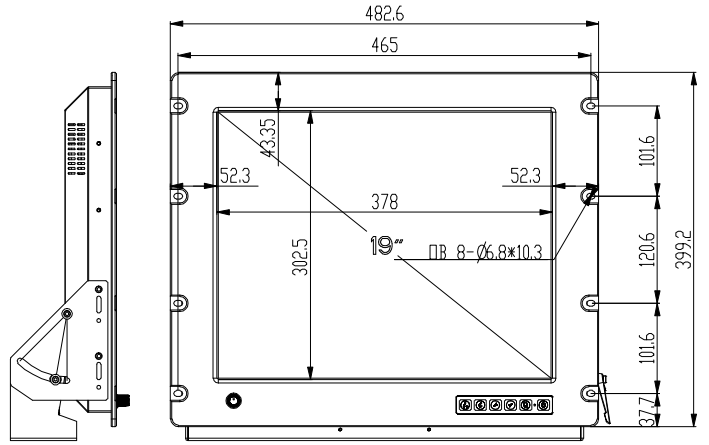
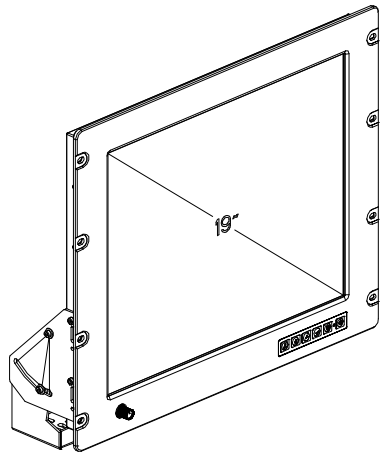
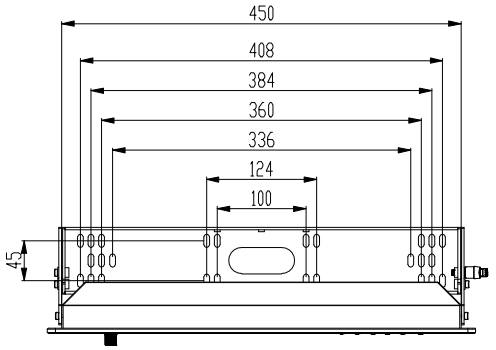
### Stand/Roof Mount + Robust Bracket



### Sun Visor Bracket



MARK	DATE	UPDATE	DESCRIPTION	SIGN	APPROVER
△					



CUT OUT DIMENSION (452x368.6mm) UNIT:mm

\* Note: this is a simplified drawing and some components are not marked in detail. Please contact our sales representative if you need further product information.

Ver.	A0	FINISHING									
Q'ty	1	MATERIAL									
SELECT V	V					3RD ANGLE'S					
DIM	TOL	A	B	C	D	EXTRA	APPROVED	TITLE	MIPM-19HBT-DC-ASSY		
-8	±0.03	±0.05	±0.10	±0.20			CHECKED	DRAWIN NO.	MIPM-19HBT-DC-3D3V.DWG		
8-25	±0.05	±0.08	±0.20	±0.30			DESIGNED	MODEL NO.	MIPM-19HBT-DC		
25-80	±0.08	±0.12	±0.30	±0.40			DATE	23-May-19	SCALE	0.2	UNIT: MM
80-250	±0.12	±0.20	±0.40	±0.50				PART NO.	SIZE	A3	SHEET: 1 OF 1
250-	±0.20	±0.30	±0.50	±0.60							
ANGLE TOL	±0.2°	±0.3°	±0.4°	±0.5°							