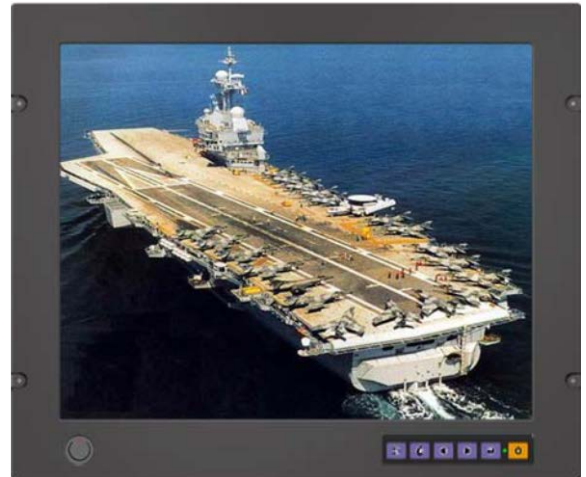


**Model: MIPM-17HB**  
**17" High brightness Marine Industrial Panel Monitor (VGA +DVI + S-Video + AV input)**

**Main Feature**

- Dimming knob control backlight brightness from nearly 0% to 100%
- Front IP65 aluminum bezel with powder coating
- Wide range DC8~30V power input with Lockable connector (AC Power in option)
- Front hardness AR glass protection (touch option)
- 1000cd/m2 brightness
- Build in 2 x 2 watts stereo speaker
- IP65 Front OSD Design , Ease for use front OSD control
- Enhanced anti-shock and vibration resistance design
- Meet standard VESA hole ( 75 x 75mm and 100 x 100mm)
- Panel ( Flush ) mount ,VESA and bracket mount



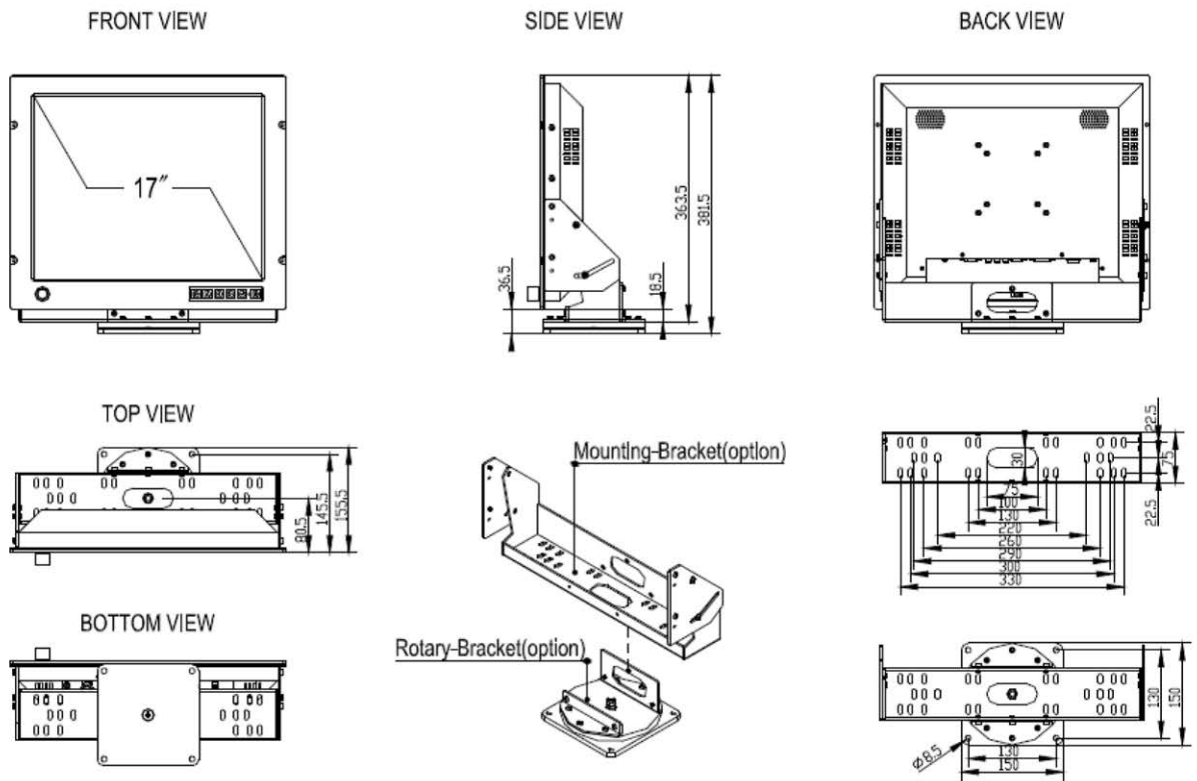
Specification	
Product Model	MIPM-17HB
LCD Panel	Display Type : 17" SXGA TFT LCD Pixel Number : 1280 x 1024 Pixel Pitch(RGB) : 0.264 x 0.264 Display area : 337.92(H) x270.336(V) mm Contrast Ratio : 800: 1 Light Intensity : 1000 cd/m2 Viewable Angles (L/R,U/D) : 80/80 , 80/80 Max Colors : 16.7M Response time : 5ms Power consumption : 50 W LCD MTBF : 50.000hrs
Mechanical and Environmental	Power Control : Front Power On/Off via Front Button VR Control : Front VR Brightness Knob Control OSD control : Front on screen display control Mounting : Panel ( Flush ) mount ,VESA and bracket mount Dimensions (WxHxD) : 408 x 345 x 55 mm Weight : Net 8kg Operating Temperature : 0 °C to 50 °C Storage temperature : -20 °C to 60 °C Storage humidity : 10% to 90%non-condensing Anti-Vibration : 5Hz~500 HZ / 1G PTP Anti-Shock : 15G / Peak( 11m sec)
Available Options	AC Power input : 100 to 240 V AC Bracket mount : Stand and roof mount / Rotary bracket / Sun Visor bracket
Input Signals	RGB Signal : D-SUB 15P connector(female) Composite Audio/Video : RCA plug S-Video Signal : S-Video (SVHS) plug DVI-D Signal : DVI-D input 24pin connector

	DC Power Signal : 5.8mm DC Jack with Lockable AC Power Signal (Option) : Standard IEC Inlet
Power Specifications	DC Input : 8-30V DC to DC power input with Lockable connector
Certification and Approvals	CE/FCC/Rohs Certification: IEC60945

## Ordering Information

MIPM-17HB	17" High brightness Marine Industrial Panel Monitor (VGA +DVI + S-Video + AV input)
Optional: SR-BKT	Mounting bracket for stand and roof mount
Optional: RT-BKT	Rotary bracket
Optional: SV-BKT	Sun Visor bracket

## Mechanical Drawing with Robust Bracket (options)



## STAND MOUNT Bracket

Unit :mm

