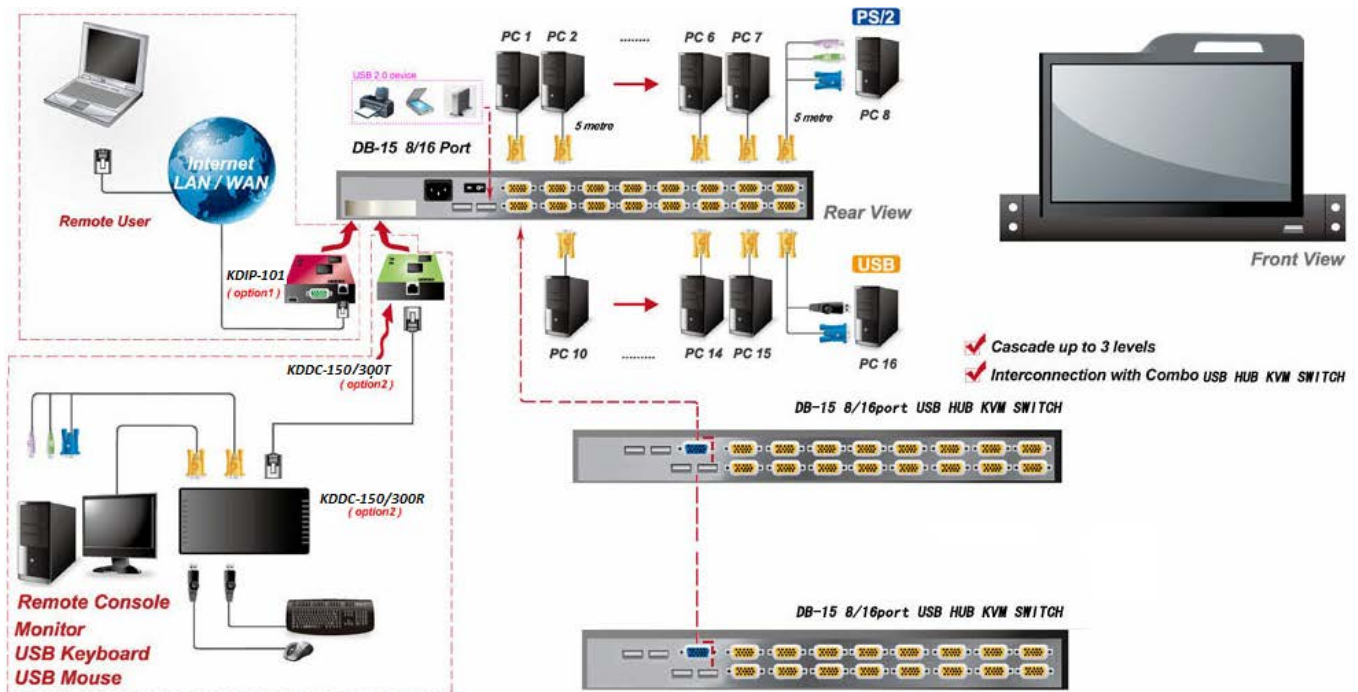


Model: KVM-17xxUSB-T (KVM-1708USB-T, KVM-1716USB-T)
1U Rackmount 17" TFT LCD KVM with USB 2.0 HUB & Touch screen



Main Feature

- Front an USB Port and Rear 2 x USB Port for USB Device connection
- Support USB HUB 2.0 and optional Touch screen function
- Build-in Combo DB-15 KVM switch with either 8 or 16 ports
- LCD module rotates up to 105 degrees for a more comfortable viewing angle
- 104 keys keyboard with touchpad.
- Support an optional remote console (Cat5 based or Over IP)
- Support multiple form - PS/2 and USB computers (SUN and MAC)
- Support DOS, Windows, Netware, Unix, Linux, Mac OS

- Hot Pluggable - Add or remove connected PCs without having to power down the KVM switch or PCs.
- Superior video quality - Up To 1280X1024, DDC2B
- No software required - easy PC selection via Push Buttons, Hot Keys or OSD (on screen display)
- Cascade switches up to 3 levels
- Auto Scan Mode for monitoring PCs
- Firmware upgradeable for staying compatible with new coming computers
- Metal case rack mountable support DDC2B for all ports

Specification			
Product Model		KVM-1708USB-T	KVM-1716USB-T
LCD	Size	17" TFT	
	Resolution	1280 X 1024	
	Max. color	16.7M	
	Luminance	300 cd/m2	
	View Angel	178°(H) , 178°(V)	
	Pixel Pitch	0.264 x 0.264 mm	
	Contrast Ratio	1000 : 1	
Computer Connections	Direct	8	16
	Maximum	38	46
USB 2.0 Connections		Front 1 x port & Rear 2 x ports for USB Devices	
Computer Port Selection		OSD , Hot Key , Push Button	
Touch Screen		Internal USB controller Type: Analog resistive 25VDC \geq 20M Ω Resolution: continuous Light transmission: 80% or more Surface hardness: 3H Operating force : \leq 100g Life expectancy: 35 Million OS: Window CE / 98 / NT / 2000 / XP / 7, DOS , Linux	
Connector	Power	AC Inlet	
	Computer	DB 15 Female	
	Daisy Chain	DB 15 Female	
	Console Port	Plus one Optional Modules: Selectable CAT5-Based or IP-Based Remote Console	
CAT5-Based Remote Transmit / Receive Module (KDCC-300T/KDCC-300R)		1 x RJ-45 Connector up to 150/300 meter CAT5, Remote receiver support 1 x VGA (up to 1024x768 resolution) 2 x USB for KB & Mouse , 1 x KVM port for connecting an extra PC	
IP-Based Remote Console Module (KDIP-101)		1 x RJ-45 connector for 10/100M Ethernet (remote console up to 1600x1200 resolution) , 1 x DB-9 male connector for Modem ,Null Modem and serial power control , 1 x mini USB 2.0 receptacle	
LEDs	Port	8	16
	Power	1	
Button / Switch	Power Switch	Rock Switch	
	LCD Adjustment	Button	
Hotkey		Provide various Hotkey (Scroll-Lock/ Cap-Lock/ Num-Lock/ Alt/ Ctrl/ Win)	
Auto-Scan Intervals		5 ~ 99 Sec.	

Keyboard / mouse Emulation		PS/2
Video Resolution (Local Console)		1280 x 1024
Video Resolution (Remote Console)		1280 x 1024 for CAT5-Based 500 feet remote console, 1024 x 768 for CAT5-Based 1000 feet remote console, 1600 x 1200 for IP-Based remote console
Internal Power Adapter		100-240VAC; 50/60Hz; 12VDC/4A , 48w via IEC type cord
Environment	Operating Temperature	0-50°C
	Store Temperature	-20-60°C
	Humidity	0-90% RH , NC
Housing		Heavy Duty Steel
Size		1U, 17" Rack mount
Net Weight	13.5KG	14KG
Gross Weight	18.5KG	19KG
Dimensions (W*D*H)		448 x 600 x 42 mm
Packing Dimensions (W*D*H)		710 x 740 x 170 mm
Order Information		
KVM-1708USB-T		1U Rackmount 17" TFT LCD, with 8 port KVM switch & USB 2.0 HUB, touch screen
KVM-1716USB-T		1U Rackmount 17" TFT LCD, with 16 port KVM switch & USB 2.0 HUB, touch screen
KCVU-018 (optional)		USB, 2 in 1 KVM Cable , 1.8 meter length
KCVU-030 (optional)		USB, 2 in 1 KVM Cable , 3.0 meter length
KCVU-050 (optional)		USB, 2 in 1 KVM Cable , 5.0 meter length
KCVU-018 (optional)		PS/2, 3 in 1 KVM Cable , 1.8 meter length
KCVU-030 (optional)		PS/2, 3 in 1 KVM Cable , 3.0 meter length
KCVU-050 (optional)		PS/2, 3 in 1 KVM Cable , 5.0 meter length
KDDC-150T & KDDC-150R (optional)		CAT5-Based Remote Transmit & Receive Module - for 150 meter
KDDC-300T & KDDC-300R (optional)		CAT5-Based Remote Transmit & Receive Module - for 300 meter
KDIP-101 (optional)		IP-Based Remote Console Module

Structure Diagram Unit :mm

