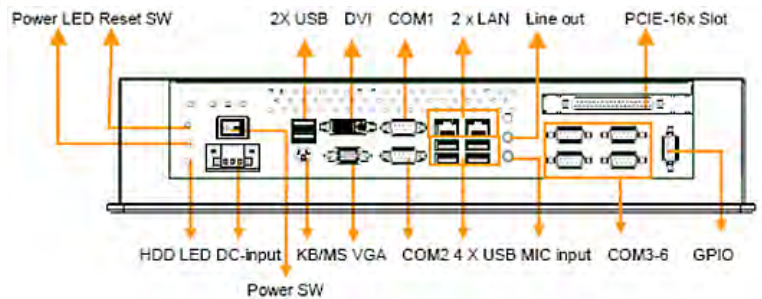


Model: EIPC-i7-15
 15" Marine Suitable Intel Core i3/5/7 Panel PC - 6 x COM; 1 x PCI-E X16;
 IP65 front protection (Optional - WIFI)



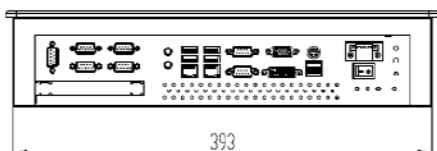
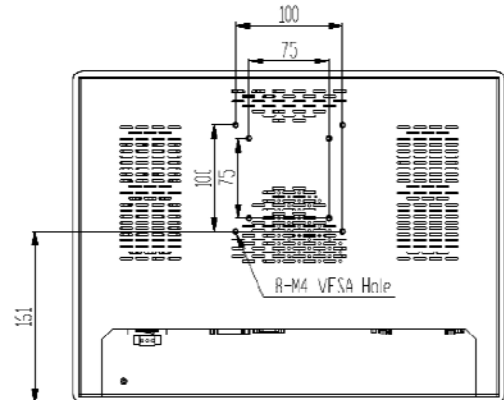
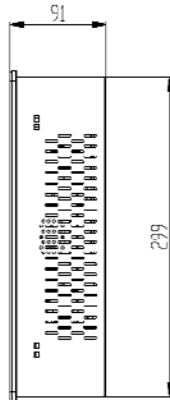
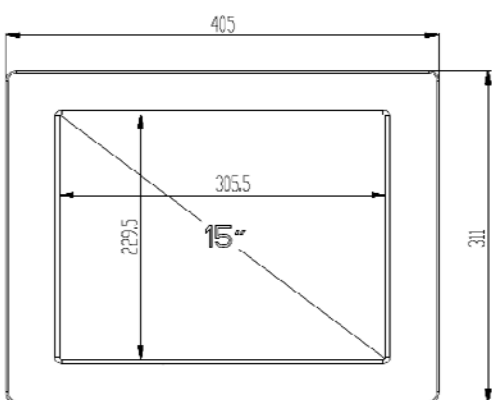
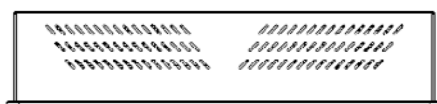
Main Feature

- LED Panel - Higher Brightness; Longer Life Span; Better Viewing Angle; Less Power Consumption ...
- 15" XGA LED Panel support 1024x768 pixels
- Support Intel®LGA1155 Socket Core i7/i5/i3/Celeron Processor
- Rugged construction design
- Front 6mm Aluminum bezel - NEMA4 / IP 65 compliant
- 6 x COM (COM1 could set to RS422/485)
- 1 x PCI-E X16 Expansion slot
- Wide Range 9-28VDC input
- (Optional - WIFI) MINI PCI-E WIFI Module with Antenna
- Panel (Flush) mounting with clip
- Meet standard VESA hole (75 & 100 mm), support desk top stand / wall mount / swing arm mounting

Specification	
Product Model	EIPC-i7-15
CPU	Support Intel®LGA1155 Socket Core i7/i5/i3/Celeron Processor
Chipset	Intel H61
Memory	1 x DDRIII DIMM 1066/1333 RAM Socket up to 8GB
Storage	Space for 1 x 2.5" Drive Bay
Display	Display Type : 15" XGA <u>LED Panel</u> LCD Resolution : 1024 × 768 Luminance : 350 cd/m2 View Angel : 160° (H) , 140° (V)

Audio	Realtek ® ALC662, 5.1 channel surround audio
LAN	2 x Realtek ® RL8111x (Gigabit) 10/100/1000Ethernet
USB port	6 x USB 2.0
VGA port	1 x DB-15 pin connector
Expansive interface	1 x PCI-E X16; 1 x Mini PCI-E
Back panel I/O port	1 x PS2 for KB/Mouse; 2 x RJ45; 6 x USB 2.0; 1 x VGA ; 1 x Lin-in / Lin-out; 1 x DVI; 6 x COM; 1 x HDD/PWR LED; 1 x Power / Reset Switch; 1 x PWR-In 3 PIN Terminal Block
Supporting OS	DOS; Windows 2K/XP/Vista/7; Linux
Wireless LAN (optional)	MINI PCI-E WIFI Module with Antenna
Power Supply	9-28VDC input with 3 pin termination block
Construction	Heavy duty steel and aluminum front panel
Environment	Operating temperature: -5°C to 60°C Relative humidity: 10% to 90%non-condensing Vibration: 17 to 500HZ 1G PTP; Shock: 1G /peak(11m sec)
Compliance	CE; FCC; ROHS
Dimension W x H x D (mm)	405 x 311 x 91
Ordering Information:	
EIPC-i7-15	15" Marine Suitable Intel Core i7/i5/i3 Panel PC with 100~240VAC to DC 12V 120W adapter
<u>Optional</u> - Processor	Intel Core i7 / i5 / i3 / Celeron Processor
<u>Optional</u> - RAM	2 to 8GB DDRIII DIMM RAM
<u>Optional</u> - SSD / HDD	16 GB to 1TB SSD / 320GB to 1TB 2.5'' SATA HDD
<u>Optional</u> - WIFI	MINI PCI-E WIFI Module with Antenna
<u>Optional</u> - OS	Windows XP or 7 Professional 32 bit

Structure Diagram



CUT OUT DIMENSION (395x301mm) UNIT:mm