

Model: AWM-1710-SDI
17" IP67 Sunlight Readable Marine Display with HD-SDI, 3G-SDI Input and Output



Main Feature

- 17" SXGA TFT LED Panel support 1280 x 1024 pixels
- 6mm Aluminum front bezel with strengthen glass
- IP 67 compliant front panel with Anti - Glare glass
- Rugged construction design
- Input Signal: VGA + HDMI + 2 x BNC + 3G-SDI Input, and BNC + 3G-SDI Output (Loopback)
- Isolated 9-36VDC Wide range input
- OSD control keys to optimize the display (with 0-100% Dimming Control)
- Panel mounting with clip, and standard VESA hole (100x100 mm) support desktop stand/wall mounting
- Shock & Vibration - compliance with EN50155 / MIL-STD-810F / IEC-60945

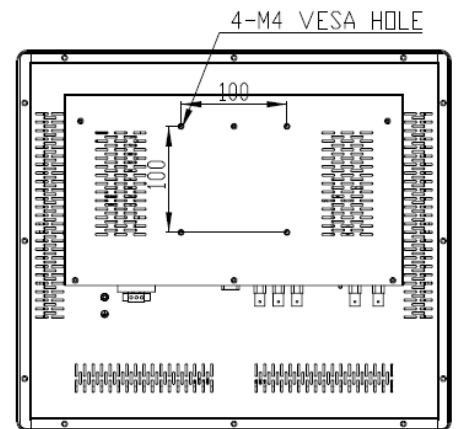
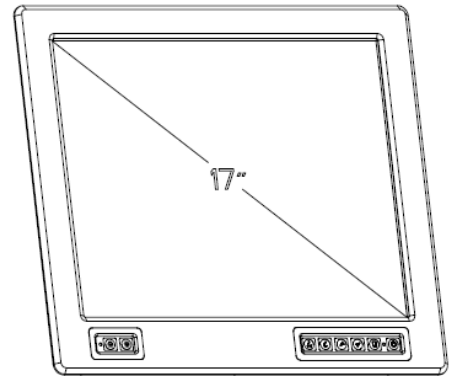
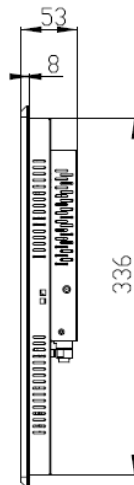
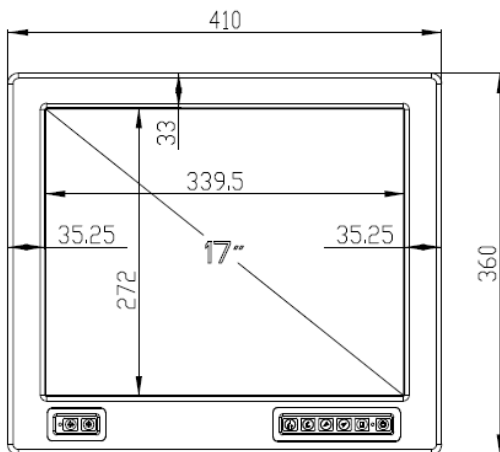
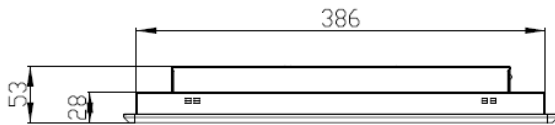
Specification	
Product Model	AWM-1710-SDI
LCD Panel	Display Type : 17" SXGA TFT LED Backlight Resolution : 1280 x 1024 Max. color : 16.7M Luminance : 1,000 cd/m2 View Angel : 170° (H), 160° (V) Pixel Pitch : 0.264 x 0.264 mm Contrast Ratio : 1000 : 1 Response Time : 10 ms MTBF : 50,000hrs
Signal Input / Output	VGA + HDMI + 2 x BNC + 3G-SDI Input & Output (loopback)
Protect Glass	3 mm strengthen glass
OSD	Brightness, Contrast, H/V Position, Color, Phase, Clock, auto tune and recall
Touch Screen (optional)	Internal USB or RS-232 interface controller Type: Analog resistive type : 25VDC ≥ 20MΩ

	Resolution: continuous Light transmission: 80% or more Power consumption: <5V @1mA Surface hardness : 3H Operating force : ≤100g Life expectancy : 35 Million Operation system : Window 2000 / XP / Vista / 7 / 10 / CE, DOS , Linux
Power Supply	Input: Isolated 9-36VDC Wide range
Construction	Heavy duty steel and aluminum front panel
Environment	Operating temperature: -10 °C to 55 °C Storage temperature: -20 °C to 70 °C Storage humidity: 10% to 95%, non-condensing Vibration: compliance with MIL-STD-810 Shock: compliance with MIL-STD-810
Safety	CE/FCC/Rohs
Dimension W x H x D (mm)	Dimensions: 410 x 360 x 53 mm

Ordering Information

AWM-1710-SDI	17" IP67 Sunlight Readable Marine Display with HD-SDI, 3G-SDI Input and Output
--------------	--

Structure Diagram Unit :mm



CUT OUT DIMENSION (388x338mm) UNIT:mm