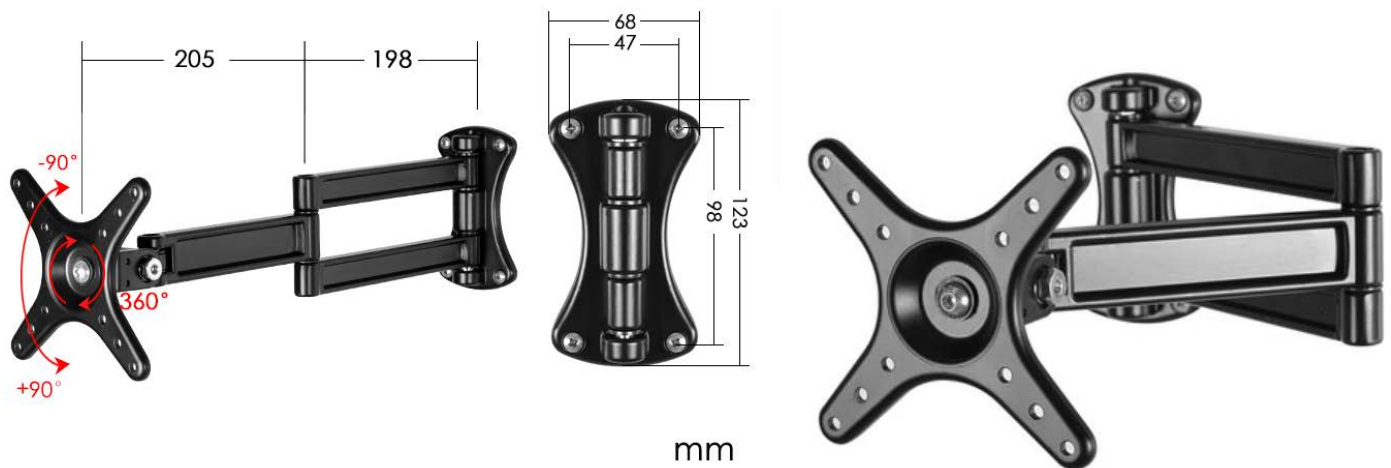


Product Model: ARM-403

## LCD Monitor / TV Wall Mount Swivel Arm



- Workspace saver
- Superior flexibility and movement
- Fast and easy to install
- 180° monitor swivel
- 180° pivot up-down

### Feature:

- Panel to wall distance: 40cm
- Standard VESA Mounting Hole (50x50mm, 75x75mm & 100x100mm)
- For LCD Monitor & Panel PC up to 27"
- Maximum loading weight 12kg